



The XP3740 range is the latest in a long line of driver's digital display instruments (DDI). The range includes the following types:

- Speedometer
- Tachometer
- Brake Pipe Pressure Gauge
- Traction Current Meter
- Volt Meter
- Temperature Gauge

About

All types have the same mechanical footprint and display information is presented in the familiar form of a LED bar-graph with a digital numeric display. Each type is available in a wide of range of inputs, outputs, supply and connector options.



Main Features:

- Direct replacement for Fischer style front mounting
- Highly visible LED “analogue” display dial
- EMC compliant
- Rugged aluminium case
- Backlit numerals
- Splash-proof
- Auto brightness that suits the ambient light conditions
- Many options, custom ranges...

e: sales@ar-tech.com.au

p: +61 2 9482 5710

w: ar-tech.com.au

Typical Function

The XP3740 DDI mounts directly into the driver's console and displays the relevant parameters of the vehicle on the front dial via a circular LED bar graph and a central digital display.

The DDI can be configured to operate at the nominal voltage of the vehicle. The instrument's input signal(s) can be either analogue voltage, current loop, or frequency pulse.

The display dims automatically to suit the ambient light conditions. This function is controlled via a sensor on the front dial and can be custom configured via software to suit specific environments. The dial's numerals are backlight for enhanced performance in low light.

Each unit is factory calibrated for optimum accuracy.

Examples of DDI Types



Pressure



Twin BCP



Traction/Regen



Latching Connector



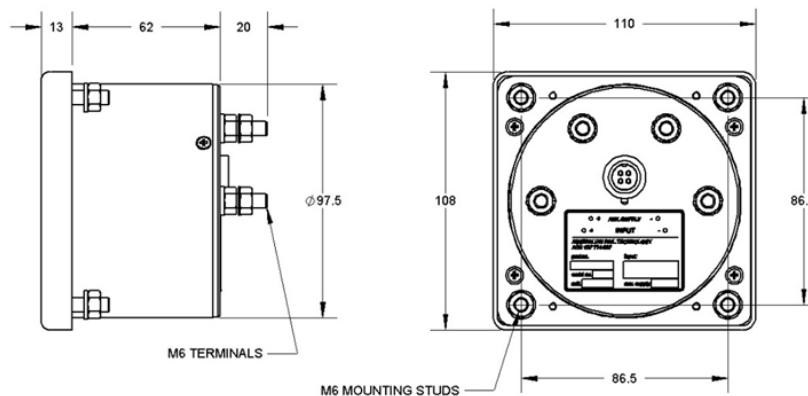
Circular Connector

Technical Data

Description	Unit	Value
Operating Voltage	V _{dc}	Nominal 24 (16.8 - 30VDC) Nominal 48 (33.6 - 60VDC) Nominal 72, 110, 120 (50-150VDC)
Power Consumption	W	8 max
Ambient Temperature Range - operating	°C	-10 to 50 (EN51055 Class T1)
Ambient Temperature Range - storage	°C	-10 to 85
EMC Emissions	-	-
Conducted EMI	-	EN50121-3-2 Table 3
Radiated EMI	-	EN50121-3-2 Table 6
EMC Immunity to (Criterion A):	-	-
Electrostatic Discharges	-	EN61000-4-2
Radiated Fields	-	EN61000-4-3
Electrical Fast Transient	-	EN61000-4-4
Surges	-	EN61000-4-5
Conducted Disturbances	-	EN61000-4-6
Variations of Voltage Supply	-	EN50155
Shock and Vibration	-	IEC 61373 Cat 1, Class B
MTBF (MIL-HDBK-217F-Notice 2, Ground Benign, T _A = 30°C, T _J = 50°C)	hrs	390,000
Dimensions (L x W x H)	mm	110 x 108 x 99*
Degree of Protection, (Installed)	-	IP54* **
Mass	g	700*
Mounting	-	M6 studs on rear
Connection	-	M6 brass studs*
Industry Standard	-	EN50155

*varies depending on specific model options

**protection from front sidehrs390,000Operating



e: sales@ar-tech.com.au

p: +61 2 9482 5710

w: ar-tech.com.au

Ordering Information

Model No. Example:

XP3740-Sb-160c-Z

