

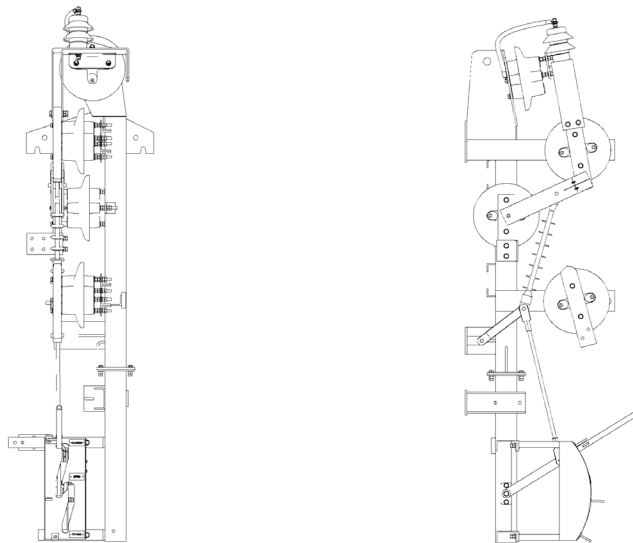
- Unique low-resistance
- Low friction
- Zero-maintenance hinge joints
- Robust overall construction for long life and safe operation

These are available in many different layouts, configurations and options.

Australian Rail Technology is the sole supplier of 1500V DC isolators for the entire Sydney Trains network in Australia. We also supply 600V DC isolators for Melbourne and New Zealand.

Technical Data

Description	Unit	Value
Operating Voltage	V _{dc}	1500V DC (Nominal)
Continuous Isolating Switch Rating	A	3000
Continuous Rail-connecting Switch Rating	A	3000
Maximum Temperature Rise of Isolating Switch	°C	60
Maximum Temperature Rise of Rail connecting Switch	°C	60
2 hour Cyclic Load Test		5600A for 2.5min, 1600A for 9.5min
I ² t Let-through	A ² s	4,500,000A ² s
Insulators – PF Dry Flashover voltage	kV	97
Insulators – PF Wet Flashover voltage	kV	53
Insulators – creepage	mm	370



Part Number

Part Number	Description	Weight (kg)
XP1022BAO	1500VDC Isolating and Rail Connecting Switch, 3 Position	195
XP1022BAOS	1000VDC Isolating and Rail Connecting Switch, 3 Position with Surge Arrestor	196

e: sales@ar-tech.com.au

p: +61 2 9482 5710

w: ar-tech.com.au