



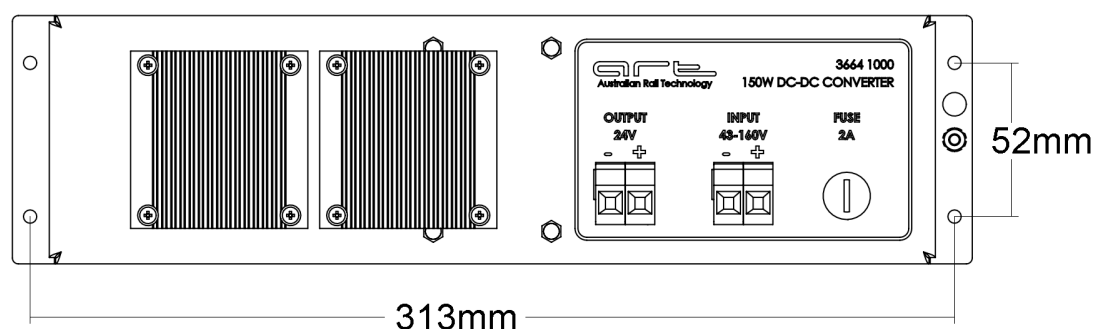
150 watt power supply features:

- No temperature de-rating over operating range.
- T1 class (EN50155).
- Ultra wide 4:1 input voltage range.
- High Efficiency.
- No minimum load.
- Zero HCN.
- Compliant to RailCorp specifications.
- 'Drop in' replacement for DC-150 Fischer Industries power supply.

150 watt power supplies

Our range of high performance 150 watt power supplies are designed to meet EN50155 standards. Designed to run at full load in hot locations the power supply comes complete with thermal protection. As well as being a rugged unit, it has soft start and no minimum load features. The range of available output voltages includes 12, 15, 24, 28 and 48 VDC. The DC-150 is also available with dual outputs with any two of the standard voltages.

Australian Rail Technology is also able to design the power supply to any 'form fit' requirements you have.



Technical Data

Description	Value
Operating Voltage (Input)	Nominal 24 (9.5 - 36 VDC) Nominal 48 (17.5 - 75 VDC) Nominal 72, 110, 120 (43-160 VDC)
Power Rating	150W
Regulation	0.25% (0-100% load variation)
Ripple and noise	100mVp-p (12/15VDC) 200mVp-p (24/28VDC) 300mV p-p (48VDC)
Ambient Temperature Range - operating	-10°C to 55°C (EN50155 Class T1)
Ambient Temperature Range - storage	-10°C to 125°C
Short Circuit Protection	Indefinite, automatic recovery
EMC Emissions Conducted EMI Radiated EMI	EN61000-4-6, 10Vrms, pref. criteria A EN61000-4-3, 20V/m, pref. criteria A
Variations of Voltage Supply	EN50155
Shock and Vibration design to	IEC 61373
Dimensions (L x W x H)	325 x 84 x 68
Mass	1kg
Mounting	Bolt/Screw holes provided
Connection	Screw terminals (up to 4mm ² wire) - Custom options available
Fast Transient and Surge	EN 61000-4-4, EN61000-4-5 both criteria A

e: sales@ar-tech.com.au

p: +61 2 9482 5710

w: ar-tech.com.au